



Chestnut Coat Hooks

2021 Project Series

Project Overview

This project looks simple from the outside, and for the most part it is. However, the piece will test your skills with a chisel. All the parts, except for the back, are joined with stopped, tapered sliding dovetails. Making this joint by hand is great practice in precise layout, accurate sawing, and detailed chisel work. If you have a sliding dovetail plane, making the male half of the joint is simplified. If you don't have a sliding dovetail plane, the male half of the joint is more work with saw and chisel. The rabbets in the sides are easily made with a rabbet plane. But the rabbet in the top is stopped, meaning more chisel work.



This is a fun, useful project that doesn't require a lot of lumber to build but will provide you with lots of practice using your chisels. I made mine from American chestnut, reclaimed from an old Appalachian barn, but just about any wood will work just fine. The piece can be painted, stained, or just finished with clear coat, and provides great function in a garage or mudroom.

Topics Covered

- Stopped, tapered, sliding dovetails
- Stopped rabbets

Project Parts List

<u>Part Description</u>	<u>Material</u>	<u>Qty</u>	<u>Thickness</u>	<u>Width</u>	<u>Length</u>
Top	4/4 Chestnut	1	3/4"	9"	48"
Shelf	4/4 Chestnut	1	3/4"	7 5/8"	45 1/4"
Sides	4/4 Chestnut	2	3/4"	8 5/8"	13 5/8"
Dividers	4/4 Chestnut	3	3/4"	7 1/4"	7 1/2"
Back	4/4 Chestnut	1	5/8"	13 5/8"	45 1/4"

Suggested Hardware List

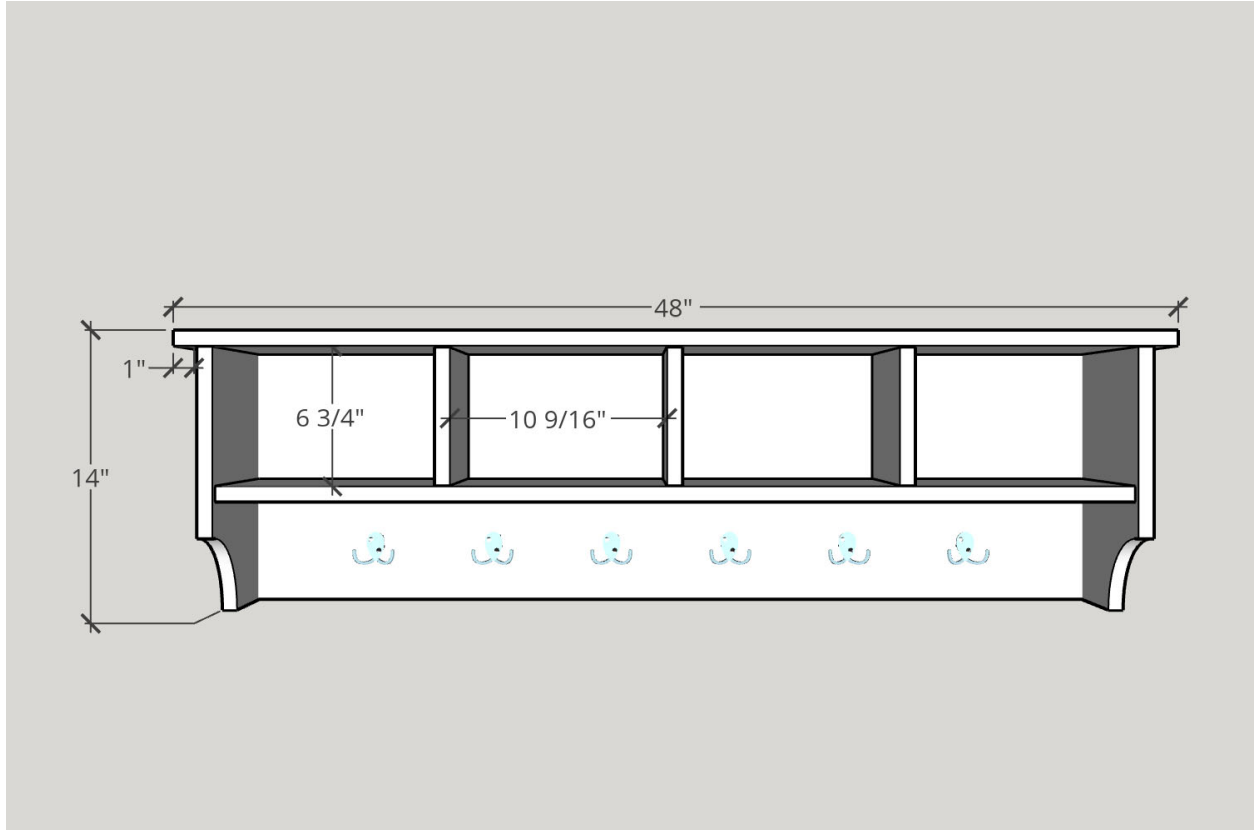
<u>Item Description</u>	<u>Qty</u>	<u>Source</u>
Coat Hooks	6	Home Center
5d Cut Nails	1/8 lb.	Tools for Working Wood



Chestnut Coat Hooks

2021 Project Series

Front View

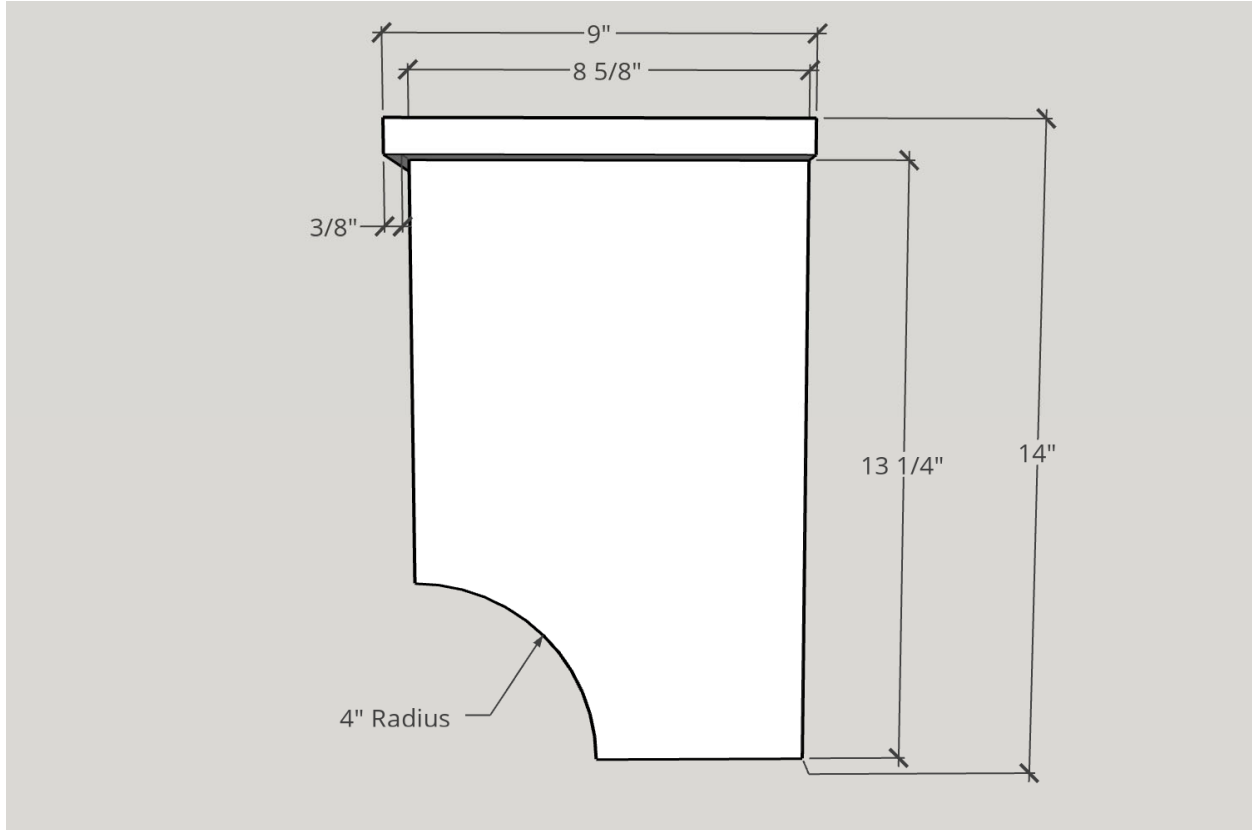




Chestnut Coat Hooks

2021 Project Series

Side View

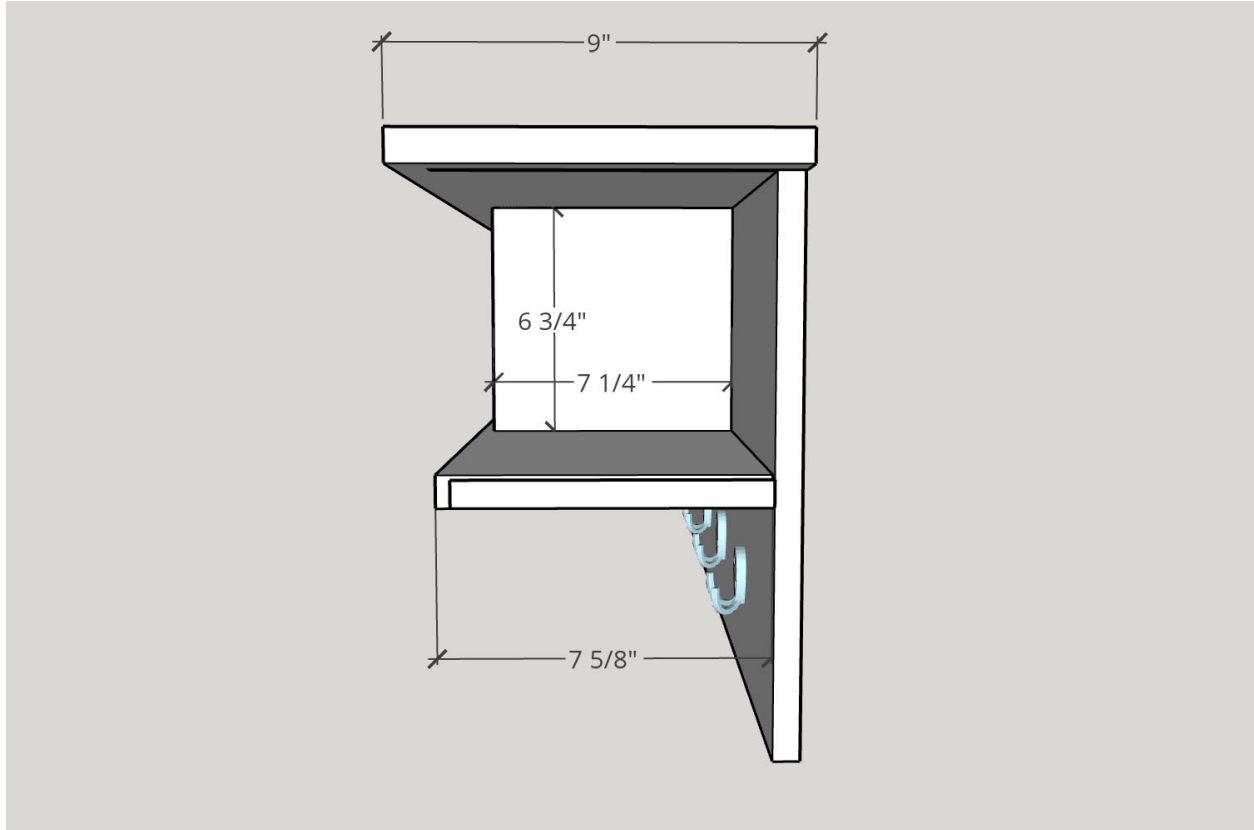




Chestnut Coat Hooks

2021 Project Series

Side View (Side Removed)





Chestnut Coat Hooks

2021 Project Series

Exploded View

